

**Canon**

# ***YJ20x8.5B KRS***



*The Evolution of  
an Industry Standard*

**IF**pro ~~S~~HUTTLE~~S~~HOT





## Additional Features <Servo & Mechanical Performance>

- **Maximum Zoom Speed 1.2 sec from wide end to tele end.**

DIP Switch



- **Shuttle Shot Switch**

The Shuttle Shot function ON/OFF switch can also be allocated to either the VTR or RET switches by means of a DIP switch.

- **Ribbed Surface**

The ribbed surface on the bottom of the Drive Unit provides better handling control.

- **New Ergonomic Drive Unit**

The new ergonomically designed Drive Unit achieves an ideal balance and comfort by having it tilt to an angle. In addition, the size of the unit has been minimized to comfortably fit in the palm of the hand. Overall, it improves the feeling of unity between the user and the lens.

- **Grip Support**

Allows a user to securely grip the Drive Unit without pressing on the VTR or Shuttle Shot buttons.

## SHUTTLE SHOT TECHNOLOGY

**SHUTTLE SHOT**

Canon's unique technology allows the lens to zoom back and forth between any two positions at the touch of a button.



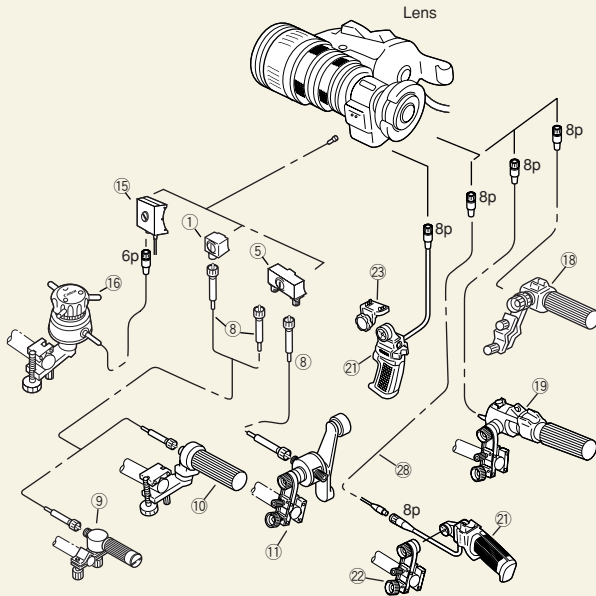
**Shuttle Shot** is a Canon Exclusive Technology that enhances production capabilities. At the touch of a button, this feature allows the operator to zoom back and forth instantly between any two positions. It can be used to zoom to the telephoto position to check focus and then return instantly to the original position or you can "shuttle" between any two-zoom positions at any time. Shuttle Shot adds even more to the Pro-Video standard lens.

### SPECIFICATIONS

#### YJ20x8.5B KRS

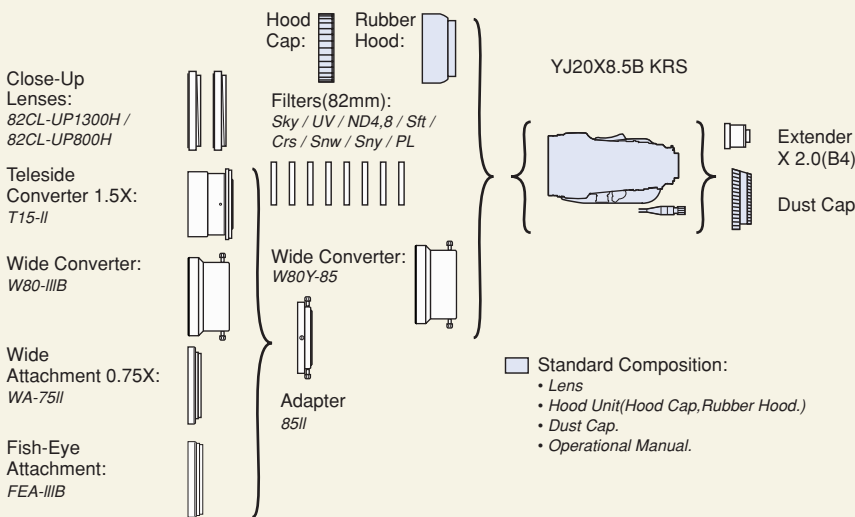
Zoom Ratio	20X	
Range of Focal Length	8.5 - 170mm	
Maximum Relative Aperture	1:1.8 at 8.5-113.3mm 1:2.7 at 170mm	
Angular Field of View	4:3 Aspect ratio ( 8.8X6.6mm ) 54.7°x42.4° at 8.5mm 3.0°x2.2° at 170mm	16:9 Aspect Ratio ( 9.6X5.4mm ) 58.8°x35.2° at 8.5mm 3.2°x1.8° at 170mm
Minimum object Distance (M.O.D.)	0.9m ( 10mm with Macro )	
Object Dimensions at M.O.D.	4:3 Aspect ratio ( 8.8X6.6mm ) 85.2 x 63.9cm at 8.5mm 4.4 x 3.3cm at 170mm	16:9 Aspect Ratio ( 9.6X5.4mm ) 92.5 x 52.0cm at 8.5mm 4.8 x 2.7cm at 170mm
Approx. Size	W x H x L = 163.3 x 103.0 x 170.4mm	
Approx. Mass	1.17kg ( 2.58lbs )	

## LENS CONTROLLERS



#	Unit	Description	CODE
①	FM-12	Flex Focus Module	1824A012
⑤	FM-70	Flex Dual Module	0002T071
⑧	FC-40	Flex Cable	1824A010
⑨	FFC-15	Flex Focus Controller	1824A024
⑩	FFC-200	Flex Focus Controller	1824A014
⑪	FZC-100	Flex Zoom Controller	1824A021
⑮	FPM-77	Focus Positional Servo Module	1824A020
⑯	FPD-400	Focus Positional Demand	1824A018
⑱	ZSD-15M II	Zoom Demand	1824A071
⑲	ZSD-300M	Zoom Demand	1824A067
⑳	ZSG-200M	Zoom Servo Grip	1824A069
㉒	CR-10	Clamper	1824A007
㉓	GA-70	Grip Adapter	0018T531
㉔	EC-80	Zoom Extension Cable (8P)	1824A009

## OPTICAL ACCESSORIES



MODEL	CODE
82CL-UP800H	1823A041
82CL-UP1300H	1823A042
Teleside Con T15-II	1823A005
Wide Con W80-III B	1823A006
Wide Attach WA-75II	1823A008
Fish-Eye FEA-III B	1823A011
Adaptor85II	1824A002
UV / 82mm	1823A030
Sky / 82mm	1823A031
CrS / 82mm	1823A032
Sny / 82mm	1823A033
Snw / 82mm	1823A034
ND4 / 82mm	1823A035
ND8 / 82mm	1823A036
Sft / 82mm	1823A037
PL / 82mm	1823A038
W80Y-85	1823A009

### North & South America

**Canon U.S.A., Inc.**  
Broadcast and Communications Div. (Headquarters)  
65 Challenger Road, Ridgefield Park, NJ 07660  
Tel:(201)807-3300 / (800)321-4388  
Fax:(201)807-3333  
Email:bctv@usa.canon.com  
http://www.canonbroadcast.com/

### Chicago

100 Park Blvd, Itasca, IL 60143  
Tel:(630)250-6236 Fax:(630)250-0399

### Atlanta

5625 Oakbrook Pkwy, Norcross, GA 30093  
Tel:(770)849-7890 Fax:(770)849-7888

### Los Angeles

15955 Alton Parkway Irvine, CA 92618  
Tel:(949)753-4330 Fax:(949)753-4337

### Dallas

3200 Regent Blvd, Irving, TX 75063  
Tel:(972)409-8871 Fax:(972)409-8869

### Latin America

Tel:(954)349-6975 Fax:(201)807-3333

### Canada

**Canon Canada, Inc.**  
Broadcast and Communications Div.  
6390 Dixie Road  
Mississauga, Ontario, L5T 1P7, Canada  
Tel:(905)795-2012 Fax:(905)795-2140

### Europe/Africa/Middle East

**Canon Europa N.V.**  
Broadcast and Communications Div.  
Bovenkerkerweg 59-61  
1185 XB Amstelveen  
Tel:+31(0)20-5458905 Fax:+31(0)20-5458203  
Email:tvprod@canon-europe.com  
http://www.canon-europe.com/tv-products

### Australia

**Canon Australia Pty. Ltd.**  
Optical Products Division  
1 Thomas Holt Drive, North Ryde, NSW 2113, Australia  
Tel:+61(0)2-9805-2000 Fax:+61(0)2-9805-2444

### China

**Canon (China) Co., Ltd.**  
Optical Products Division  
15F South Tower, Beijing Kerry Center, 1 Guang Hua Road,  
Chao Yang District, 100020, Beijing, China  
Tel:(010)8529-8488 ex 133 Fax:(010)8529-6606  
http://www.canon.com.cn

### Asia/Japan

**Canon Inc.(Broadcast Equipment Group)**  
23-10, Kiyohara-Kogyo-Danchi, Utsunomiya-shi,  
Tochigi-ken, 321-3298, Japan  
Tel:+81(0)28-667-8669 Fax:+81(0)28-667-8672  
http://www.canon.com/bctv/