

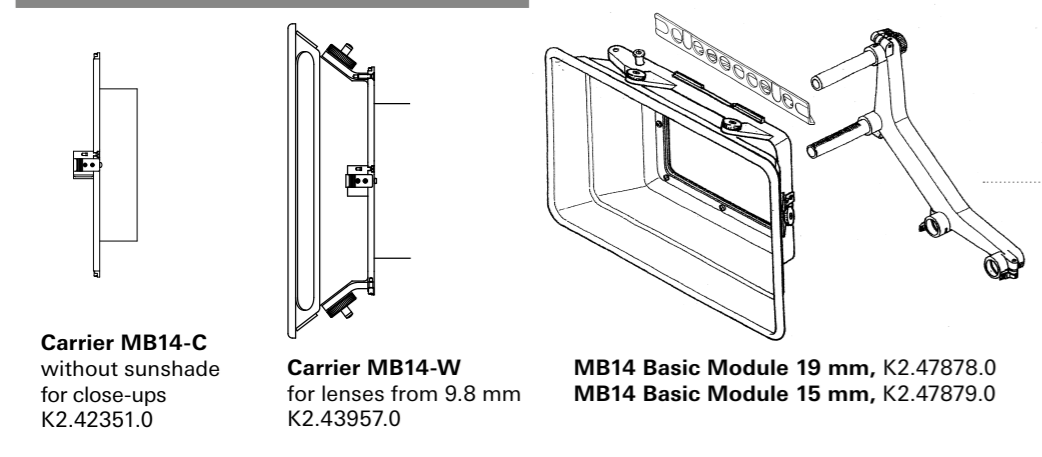
# 6.6" x 6.6" Matte Box 14 (MB-14)



CONFIGURATION OVERVIEW – 7.3.0 / 2010.07

© 2010 Arnold & Richter Cine Technik GmbH & Co. Betriebs KG. All rights reserved. This material is provided "as is" for information purposes only without any warranty. ARRI assumes no responsibility with regard to the performance or use of the products or typographical errors or inaccuracies of given information. Product specifications are subject to change without notice. For a full listing of all available components consult the price list.

## Accessories & Light Protection

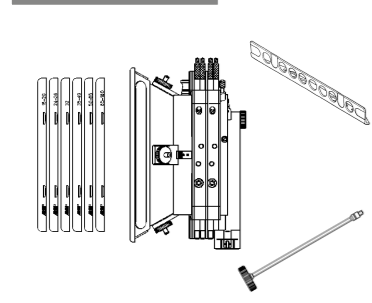


**Carrier MB14-C**  
without sunshade  
for close-ups  
K2.42351.0

**Carrier MB14-W**  
for lenses from 9.8 mm  
K2.43957.0

**MB14 Basic Module 19 mm**, K2.47878.0  
**MB14 Basic Module 15 mm**, K2.47879.0

## Set Option

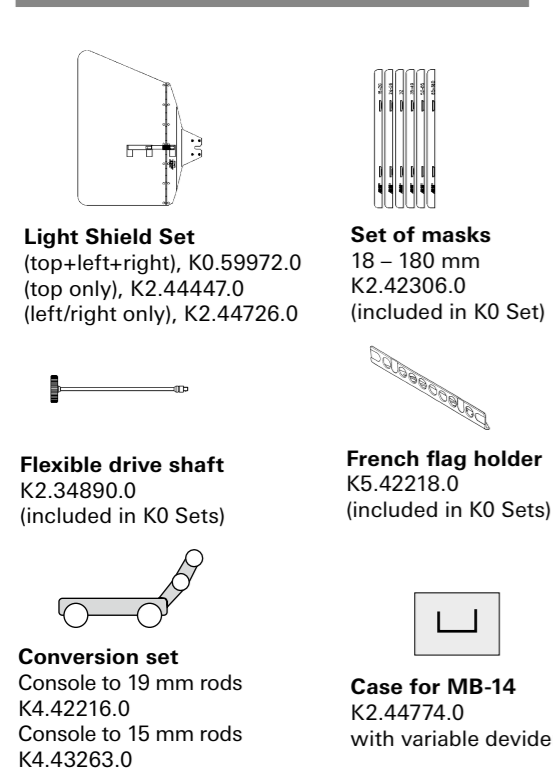


**MB-14 Set for 19 mm Rods**, K0.59971.0\*\*  
**MB-14 Set for 15 mm Rods**, K0.59987.0\*\*

**\*\* Set includes:**  
Basic Module 19 mm K2.47878.0 or 15 mm K2.47879.0  
Filter Stage for four filters, K4.42217.0  
four filter holders 6.6" x 6.6" (2 geared K4.47049.0  
2 non-geared K4.47074.0  
French Flag holder, K5.42218.0 (incl. in Basic Module)  
Mask Set 18 – 180 mm, K2.42306.0  
Flexible drive shaft, K2.34890.0

**\*\* For more sets  
and details please  
see price-list**

## Accessories & Light Protection



**Light Shield Set**  
(top+left+right), K0.59972.0  
(top only), K2.44447.0  
(left/right only), K2.44726.0

**Set of masks**  
18 – 180 mm  
K2.42306.0  
(included in K0 Set)

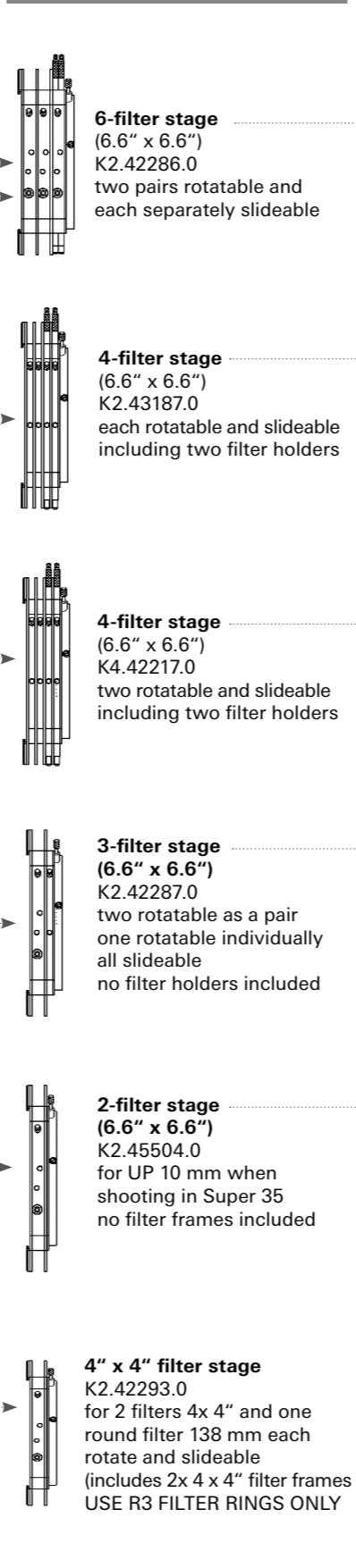
**Flexible drive shaft**  
K2.34890.0  
(included in K0 Sets)

**French flag holder**  
K5.42218.0  
(included in K0 Sets)

**Conversion set**  
Console to 19 mm rods  
K4.42216.0  
Console to 15 mm rods  
K4.43263.0

**Case for MB-14**  
K2.44774.0  
with variable dividers

## Carriers & Filter Stages



**6-filter stage**  
(6.6" x 6.6")  
K2.42286.0  
two pairs rotatable and  
each separately slideable

**4-filter stage**  
(6.6" x 6.6")  
K2.43187.0  
each rotatable and slideable  
including two filter holders

**4-filter stage**  
(6.6" x 6.6")  
K4.42217.0  
two rotatable and slideable  
including two filter holders

**3-filter stage**  
(6.6" x 6.6")  
K2.42287.0  
two rotatable as a pair  
one rotatable individually  
all slideable  
no filter holders included

**2-filter stage**  
(6.6" x 6.6")  
K2.45504.0  
for UP 10 mm when  
shooting in Super 35  
no filter frames included

**4" x 4" filter stage**  
K2.42293.0  
for 2 filters 4x 4" and one  
round filter 138 mm each  
rotate and slideable  
(includes 2x 4 x 4" filter frames  
**USE R3 FILTER RINGS ONLY**)

## Filter frames (F1)

**6.6" x 6.6"**  
**Filter frame, spare**  
K4.47074.0  
**6.6" x 6.6" Filter  
frame, geared spare**  
K4.47076.0

**5.65" x 5.65"**  
**Filter frame**  
K2.66063.0

**5" x 6"**  
**Filter frame**  
K2.34881.0

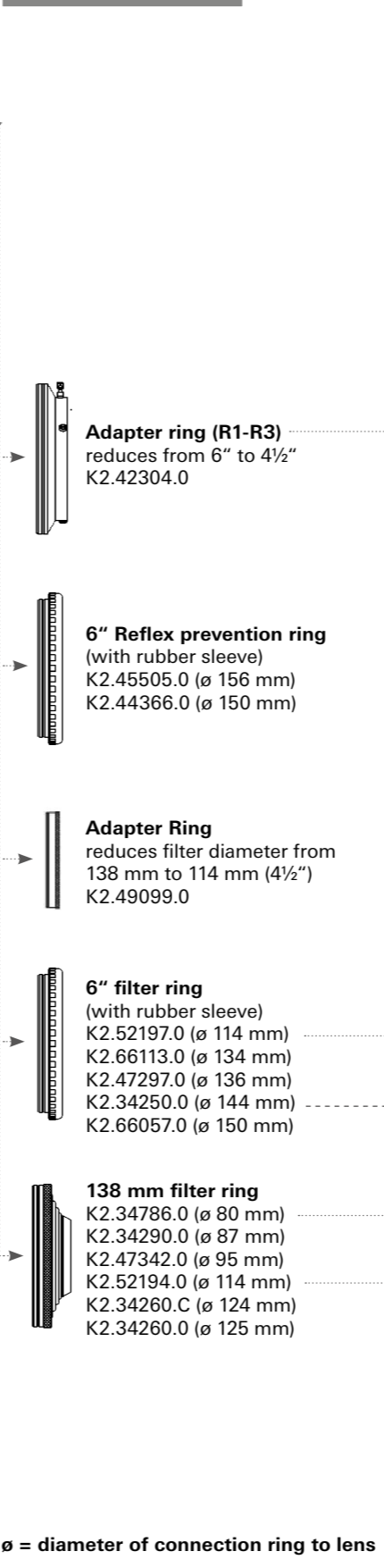
## Filter frames (F6)

**4" x 6"**  
**Filter frame  
vertical**  
K2.34980.0

**4" x 5,65"**  
**Filter frame  
vertical**  
K2.32220.0

**4" x 4"**  
**Filter frame  
spare**  
K4.32902.0

## R1 Filter Rings



**Adapter ring (R1-R3)**  
reduces from 6" to 4½"  
K2.42304.0

**6" Reflex prevention ring**  
(with rubber sleeve)  
K2.45505.0 (ø 156 mm)  
K2.44366.0 (ø 150 mm)

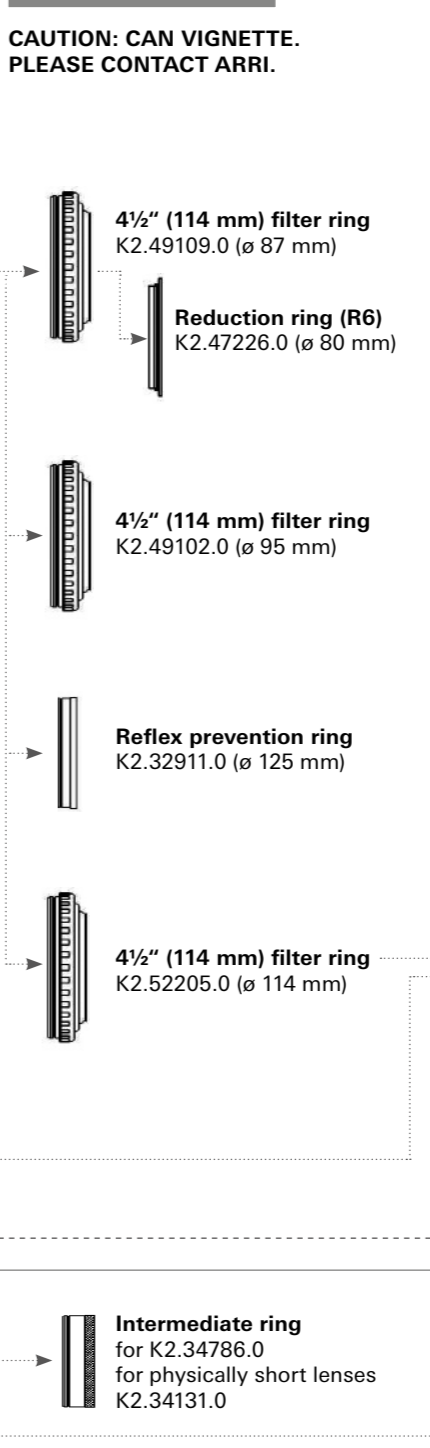
**Adapter Ring**  
reduces filter diameter from  
138 mm to 114 mm (4½")  
K2.49099.0

**6" filter ring**  
(with rubber sleeve)  
K2.52197.0 (ø 114 mm)  
K2.66113.0 (ø 134 mm)  
K2.47297.0 (ø 136 mm)  
K2.34250.0 (ø 144 mm)  
K2.66057.0 (ø 150 mm)

**138 mm filter ring**  
K2.34786.0 (ø 80 mm)  
K2.34290.0 (ø 87 mm)  
K2.47342.0 (ø 95 mm)  
K2.52194.0 (ø 114 mm)  
K2.34260.C (ø 124 mm)  
K2.34260.0 (ø 125 mm)

ø = diameter of connection ring to lens

## R3 Filter Rings



**CAUTION: CAN VIGNETTE.  
PLEASE CONTACT ARRI.**

**4½" (114 mm) filter ring**  
K2.49109.0 (ø 87 mm)

**Reduction ring (R6)**  
K2.47226.0 (ø 80 mm)

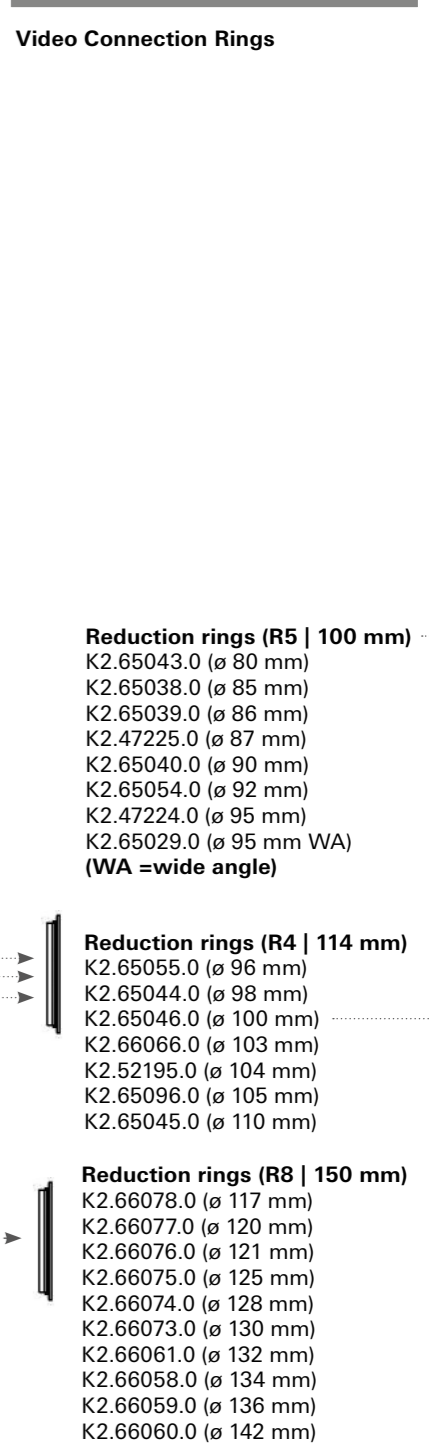
**4½" (114 mm) filter ring**  
K2.49102.0 (ø 95 mm)

**Reflex prevention ring**  
K2.32911.0 (ø 125 mm)

**4½" (114 mm) filter ring**  
K2.52205.0 (ø 114 mm)

**Intermediate ring**  
for K2.34786.0  
for physically short lenses  
K2.34131.0

## R4, R5 Reduction Rings



**Video Connection Rings**

**Reduction rings (R5 | 100 mm)**  
K2.65043.0 (ø 80 mm)  
K2.65038.0 (ø 85 mm)  
K2.65039.0 (ø 86 mm)  
K2.47225.0 (ø 87 mm)  
K2.65040.0 (ø 90 mm)  
K2.65054.0 (ø 92 mm)  
K2.47224.0 (ø 95 mm)  
K2.65029.0 (ø 95 mm WA)  
**(WA =wide angle)**

**Reduction rings (R4 | 114 mm)**  
K2.65055.0 (ø 96 mm)  
K2.65044.0 (ø 98 mm)  
K2.65046.0 (ø 100 mm)  
K2.66066.0 (ø 103 mm)  
K2.52195.0 (ø 104 mm)  
K2.65096.0 (ø 105 mm)  
K2.65045.0 (ø 110 mm)

**Reduction rings (R8 | 150 mm)**  
K2.66078.0 (ø 117 mm)  
K2.66077.0 (ø 120 mm)  
K2.66076.0 (ø 121 mm)  
K2.66075.0 (ø 125 mm)  
K2.66074.0 (ø 128 mm)  
K2.66073.0 (ø 130 mm)  
K2.66061.0 (ø 132 mm)  
K2.66058.0 (ø 134 mm)  
K2.66059.0 (ø 136 mm)  
K2.66060.0 (ø 142 mm)

## MB 14 technical data:

Min focal length 35 mm lenses:	9.8 mm (with MB14W)
Min focal length 35 mm lenses:	12 mm (with MB14)
Max number of 6 x 6 filters:	six 6 x 6 filters
Max number of 4 x 4 filters:	two 4 x 4 filters
Max number of 138 mm round filters:	one 138 mm
Max number of 4½" round filters:	one 4½" round filter
Dimensions:	372 x 260 x 155 mm
Weight:	approx. 2450 g (5.4 lbs)