

SPEEDBALANCE

Video 18 SB Video 20 SB

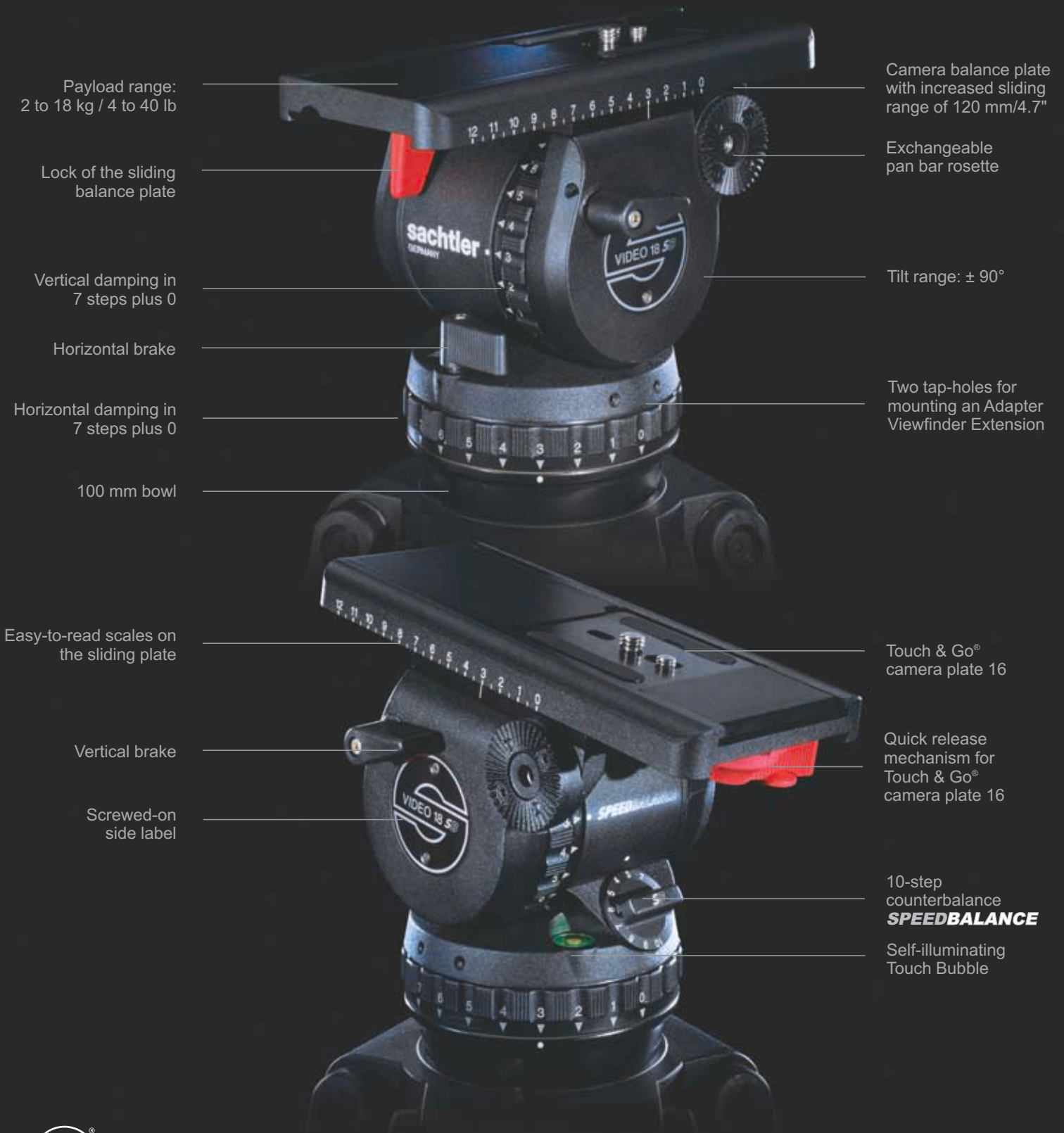


sachtler

set your ideas in motion!



Video 18 SB



Payload range:
2 to 18 kg / 4 to 40 lb

Lock of the sliding
balance plate

Vertical damping in
7 steps plus 0

Horizontal brake

Horizontal damping in
7 steps plus 0

100 mm bowl

Easy-to-read scales on
the sliding plate

Vertical brake

Screwed-on
side label

Camera balance plate
with increased sliding
range of 120 mm/4.7"

Exchangeable
pan bar rosette

Tilt range: $\pm 90^\circ$

Two tap-holes for
mounting an Adapter
Viewfinder Extension

Touch & Go®
camera plate 16

Quick release
mechanism for
Touch & Go®
camera plate 16

10-step
counterbalance
SPEEDBALANCE

Self-illuminating
Touch Bubble



Fluid heads

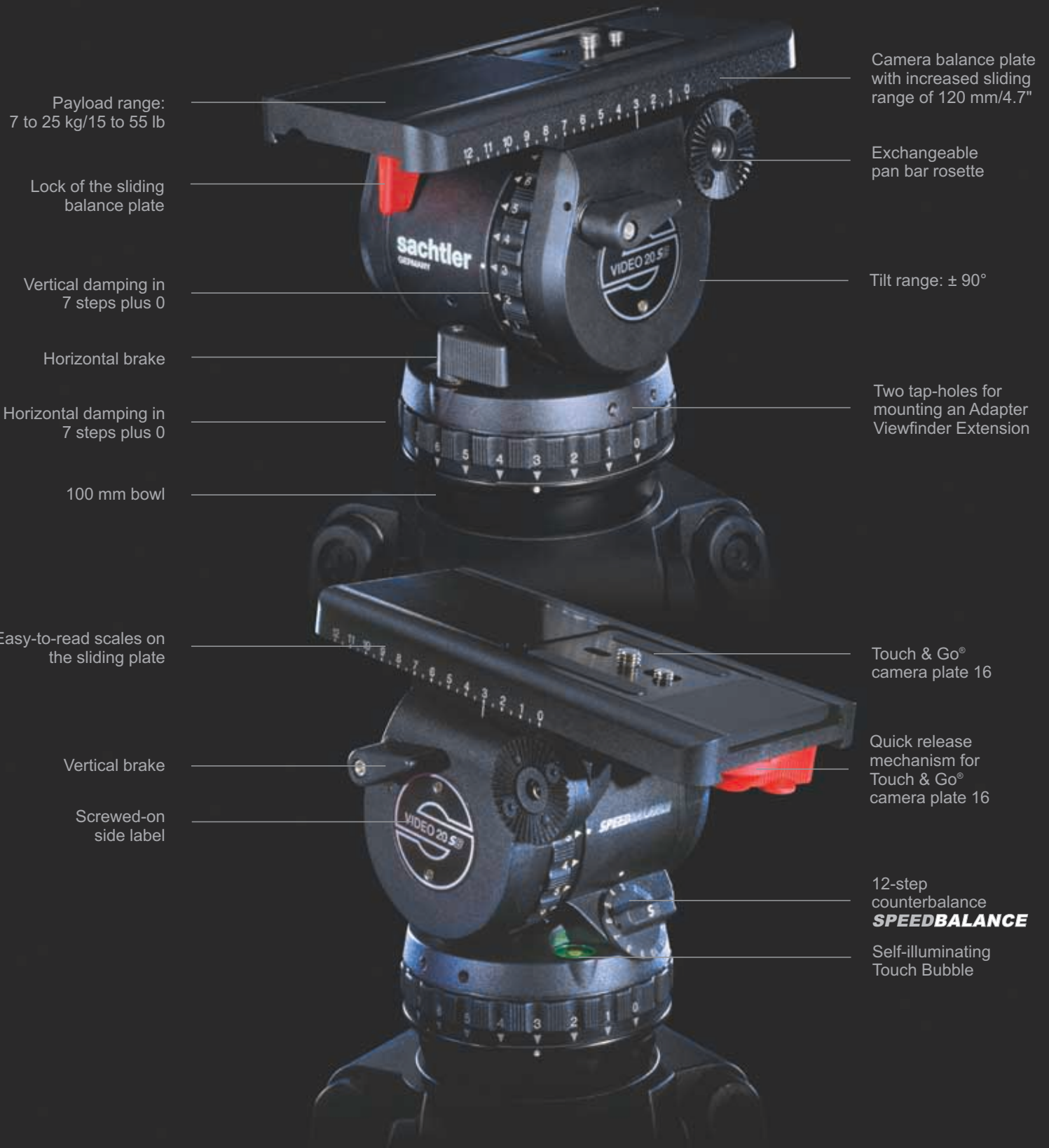
Tripods

Pedestals

Lighting

Studio

Video 20 SB



Payload range:
7 to 25 kg/15 to 55 lb

Lock of the sliding
balance plate

Vertical damping in
7 steps plus 0

Horizontal brake

Horizontal damping in
7 steps plus 0

100 mm bowl

Easy-to-read scales on
the sliding plate

Vertical brake

Screwed-on
side label

Camera balance plate
with increased sliding
range of 120 mm/4.7"

Exchangeable
pan bar rosette

Tilt range: $\pm 90^\circ$

Two tap-holes for
mounting an Adapter
Viewfinder Extension

Touch & Go[®]
camera plate 16

Quick release
mechanism for
Touch & Go[®]
camera plate 16

12-step
counterbalance
SPEEDBALANCE

Self-illuminating
Touch Bubble

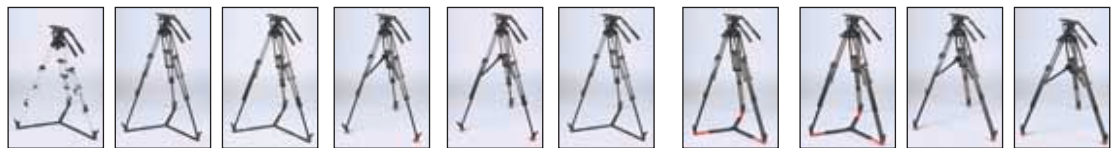


Video 18 SB Video 20 SB

SPEEDBALANCE

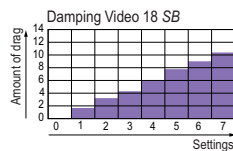
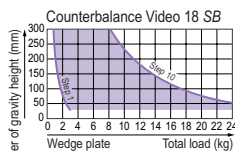
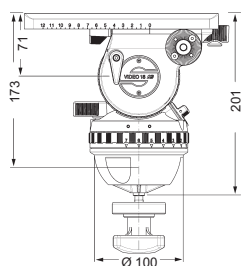
The key to Sachtler's successful fluid heads is their step switching. Now our innovative **SPEEDBALANCE** technology enables even faster and finer counterbalance of your camera system. By reducing the minimum payload, the heads' overall payload range is increased. The Video 18 SB and Video 20 SB feature exchangeable pan bar rosettes and an optional Adapter Viewfinder Extension, allowing them to be retrofitted for film-like shooting together with lightweight HD camcorders and cine accessories.

System overview



System name	18 SB ENG 2 D 1861	18 SB ENG 2 CF 1862	18 SB SL CF 1864	18 SB ENG 2 MCF 1863	18 SB SL MCF 1865	20 SB ENG 2 CF 2062	20 SB HD CF 2072	20 SB SL HD CF 2074	20 SB HD MCF 2073	20 SB SL HD MCF 2075
-------------	--------------------------	---------------------------	------------------------	----------------------------	-------------------------	---------------------------	------------------------	---------------------------	-------------------------	----------------------------

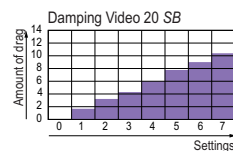
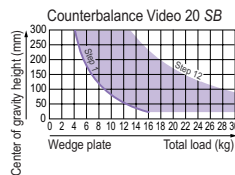
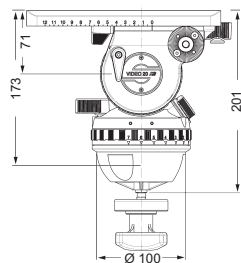
Fluid head	Code	18 SB ENG 2 D 1861	18 SB ENG 2 CF 1862	18 SB SL CF 1864	18 SB ENG 2 MCF 1863	18 SB SL MCF 1865	20 SB ENG 2 CF 2062	20 SB HD CF 2072	20 SB SL HD CF 2074	20 SB HD MCF 2073	20 SB SL HD MCF 2075
Fluid head	Code										
Video 18 SB	1805	•	•	•	•	•					
Video 20 SB	2005						•	•	•	•	•
Tripod											
Speed Lock® CF HD	5590								•		•
ENG 2 CF HD	5390									•	
Speed Lock® CF	5586			•		•					
ENG 2 CF	5386		•		•		•				
ENG 2 D	5186	•									
Spreader											
SP 100/150	7003							•	•		
SP 100	7002	•	•	•			•				
Mid-level spreader 100/150	7007				•	•				•	•
Rubber feet 100/150	7004				•	•				•	•
Cover											
ENG 2	9311	•									
Padded bag											
ENG/EFP	9106						•	•	•	•	•
ENG 2	9104		•	•	•	•	•	•	•	•	•



PAYLOAD VIDEO 18 SB

C.O.G.* (mm)	min. kg/lb	max. kg/lb
100	1.8/4.0	17.7/39.0
125	1.5/3.3	15.4/34.0
150	1.4/3.1	13.7/30.2
175	1.2/2.6	12.3/27.1
200	1.1/2.4	11.2/24.7

* Center of gravity height



PAYLOAD VIDEO 20 SB

C.O.G.* (mm)	min. kg/lb	max. kg/lb
100	8.9/19.6	28.3/69.6
125	7.7/17.0	24.7/54.5
150	6.8/15.0	21.9/48.3
175	6.2/13.7	19.7/44.1
200	5.6/12.3	17.9/39.5

* Center of gravity height

ACCESSORIES

Video 18 Dutch

C.O.G. plate 16

Adapter FB/100

FB converter

Adapter Ped C I/Plus*

Adapter 100/150

Adapter viewfinder extension 18/20

* Only for Video 18 SB